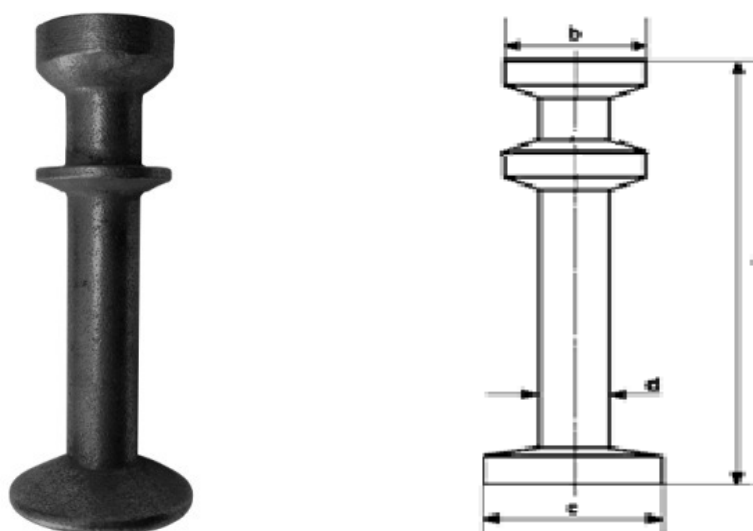


EKC SPHERICAL DOUBLE HEAD ANCHOR



Made of special steel with guaranteed notch impact strength and high resistance to brittle failure.

SWL TONNE	CODE	DIMENSIONS				WEIGHT PER 100 (kg)
		a (mm)	b (mm)	c (mm)	d (mm)	
1.3	610130DH	55	19	25	10	7.10
1.3	610131DH	65	19	25	10	7.50
1.3	610132DH	85	19	25	10	8.00
1.3	610133DH	120	19	25	10	10.50
1.3	610134DH	240	19	25	10	17.50
2.5	610251DH	55	26	35	14	13.50
2.5	610252DH	85	26	35	14	17.50
2.5	610253DH	120	26	35	14	22.50
2.5	610254DH	170	26	35	14	27.50
2.5	610255DH	280	26	35	14	42.50
2.5	610260DH	110	26	35	14	10.00

The Double Headed Anchor is specially designed for the application in combination with special rubber formers. These are often used in pits, on which the holes are firmly mounted on the formwork and remain on the formwork during the breaking away.